



SERIES GSTA & GSTC | CARBON MONOXIDE/NITROGEN DIOXIDE GAS TRANSMITTER



Wall mount with LCD



Wall mount without LCD



Duct mount

FEATURES/BENEFITS

- Industrial grade electrochemical sensor means longer sensor life and less frequent sensor replacements
- Field replaceable sensors extend transmitter's working life
- Remote LCD display makes select models more cost effective by only needing one display for multiple transmitters
- Field selectable current and voltage outputs on GSTA and BACnet or Modbus® communication protocol on GSTC allow for gas sensing solutions to be used with almost any building management controller

APPLICATIONS

- Parking garages
- Loading docks
- Automobile service bays
- Boiler or mechanical rooms

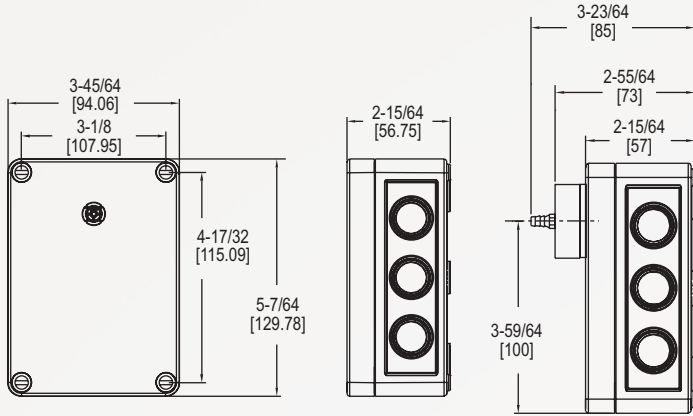
DESCRIPTION

The **Series GSTA and GSTC Carbon Monoxide/Nitrogen Dioxide Transmitter** monitors gas concentration in underground parking garages and loading docks. The carbon monoxide transmitter is used to measure the exhaust of gasoline engines, while the nitrogen dioxide transmitter is used for diesel engines. The Series GSTA has field selectable current and voltage output, and the Series GSTC is compatible with either BACnet or Modbus® communication protocol, allowing the transmitters to be used with almost any building management controller. To maximize the accuracy of the transmitters, the sensors can be field-calibrated using the A-449 remote LCD display. When the sensor reaches the end of its life, the display will indicate that the sensor needs to be replaced.

SPECIFICATIONS

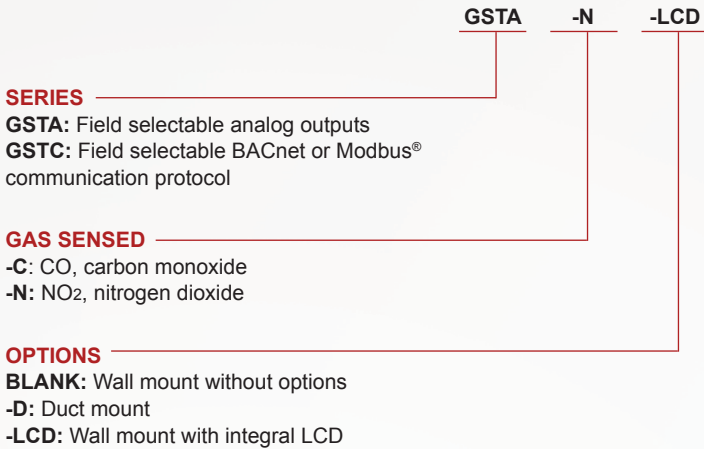
Sensor	Field replaceable electrochemical, 4 years typical lifespan.
Range	NO ₂ : 10 PPM; GSTA CO: Switch selectable 200 or 500 PPM; GSTC CO: 500 PPM.
Output Drift	<5% per year in air.
Coverage Area	5000 to 7500 ft ² typical.
Accuracy	CO: 2% FS; NO ₂ : 3% FS, at the time of calibration.
Resolution	CO: 1 PPM; NO ₂ : 0.1 PPM.
Temperature Limits	-4 to 122°F (-20 to 50°C).
Storage Temperature	For best sensor life 32 to 68°F (0 to 20°C).
Humidity Limits	15 to 90% RH constant; 0 to 99% RH intermittent.
Response Time	<45 s to 90% CO; <25 s to 90% NO ₂ .
Span and Zero Adjustments	Via pushbutton, using optional A-449 display.
Housing	UV resistant glass filled polycarbonate
Output	GSTA: Switch selectable 4-20 mA, 0-5 V or 0-10 V; GSTC: BACnet MS/TP or Modbus® RTU (switch selectable) communication protocol.
Power Supply	GSTA: Current output: 10-35 VDC, Voltage output: 15-35 VDC or 15-29 VAC; GSTC: 10-36 VDC or isolated 21.6-33 VAC.
Electrical Connection	Removable terminal block, knock outs for conduit fitting.
Calibration	Via pushbuttons using A-449 display. Span gas concentration is field selectable on CO units.
Weight	1 lb (0.45 kg).
Agency Approvals	CE.

DIMENSIONS

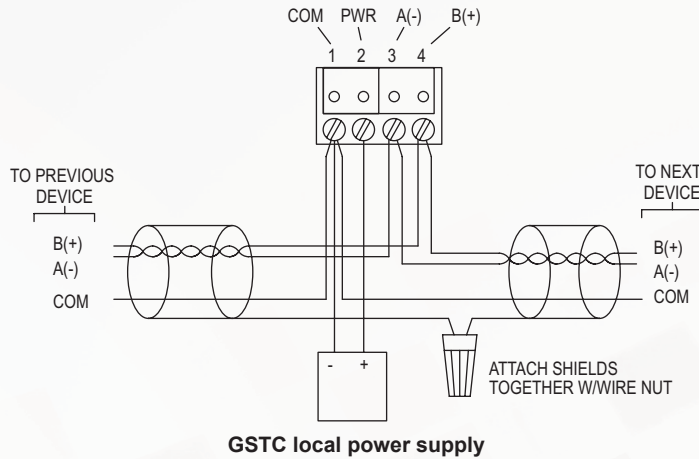
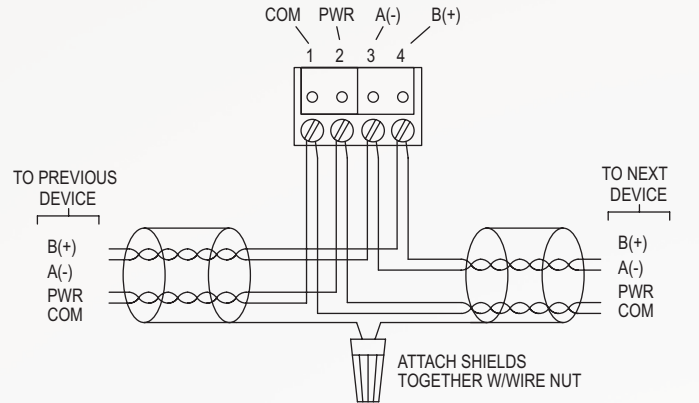
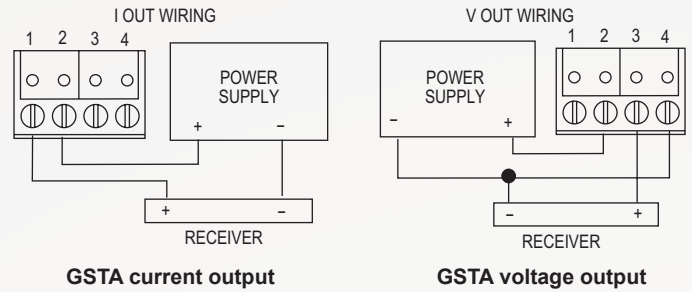


HOW TO ORDER

Use the **bold** characters from the chart below to construct a product code.



WIRING DIAGRAM



ACCESSORIES

Model	Description
A-GSTA-SE	Security enclosure
GCK-200CO-2000CO2	Calibration gas
A-449	Remote LCD display
A-505	CO replacement sensor
A-506	NO ₂ replacement sensor
A-507	Calibration adapter



A-GSTA-SE



GCK-200CO-2000CO2



A-449



A-505



A-506



A-507

ORDER ONLINE TODAY!

Product/Series **GSTA**
Product/Series **GSTC**

Modbus® is a registered trademark of Schneider Automation, Inc.



DWYER INSTRUMENTS, INC.